



Is Now Part of



ON Semiconductor®

To learn more about ON Semiconductor, please visit our website at
www.onsemi.com

ON Semiconductor and the ON Semiconductor logo are trademarks of Semiconductor Components Industries, LLC dba ON Semiconductor or its subsidiaries in the United States and/or other countries. ON Semiconductor owns the rights to a number of patents, trademarks, copyrights, trade secrets, and other intellectual property. A listing of ON Semiconductor's product/patent coverage may be accessed at www.onsemi.com/site/pdf/Patent-Marking.pdf. ON Semiconductor reserves the right to make changes without further notice to any products herein. ON Semiconductor makes no warranty, representation or guarantee regarding the suitability of its products for any particular purpose, nor does ON Semiconductor assume any liability arising out of the application or use of any product or circuit, and specifically disclaims any and all liability, including without limitation special, consequential or incidental damages. Buyer is responsible for its products and applications using ON Semiconductor products, including compliance with all laws, regulations and safety requirements or standards, regardless of any support or applications information provided by ON Semiconductor. "Typical" parameters which may be provided in ON Semiconductor data sheets and/or specifications can and do vary in different applications and actual performance may vary over time. All operating parameters, including "Typicals" must be validated for each customer application by customer's technical experts. ON Semiconductor does not convey any license under its patent rights nor the rights of others. ON Semiconductor products are not designed, intended, or authorized for use as a critical component in life support systems or any FDA Class 3 medical devices or medical devices with a same or similar classification in a foreign jurisdiction or any devices intended for implantation in the human body. Should Buyer purchase or use ON Semiconductor products for any such unintended or unauthorized application, Buyer shall indemnify and hold ON Semiconductor and its officers, employees, subsidiaries, affiliates, and distributors harmless against all claims, costs, damages, and expenses, and reasonable attorney fees arising out of, directly or indirectly, any claim of personal injury or death associated with such unintended or unauthorized use, even if such claim alleges that ON Semiconductor was negligent regarding the design or manufacture of the part. ON Semiconductor is an Equal Opportunity/Affirmative Action Employer. This literature is subject to all applicable copyright laws and is not for resale in any manner.



ON Semiconductor®

FGB40T65SPD_F085

650V, 40A Field Stop Trench IGBT

Features

- AEC-Q101 Qualified
- Low Saturation Voltage : $V_{CE(sat)} = 2.0\text{ V(Typ.) @ } I_C = 40\text{ A}$
- 100% of the parts are dynamically tested (Note 1)
- Short Circuit Ruggedness $> 5\ \mu\text{s @ } 25\text{ }^\circ\text{C}$
- Maximum Junction Temperature : $T_J = 175\text{ }^\circ\text{C}$
- Fast Switching
- Tight Parameter Distribution
- Positive Temperature Coefficient for Easy Parallel Operation
- Copacked with soft, fast recovery diode
- RoHS Compliant

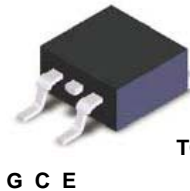


General Description

Using the novel field stop 3rd generation IGBT technology, FGH40T65SPD_F085 offers the optimum performance with both low conduction loss and switching loss for a high efficiency operation in various applications, while provides 50V higher blocking voltage and rugged high current switching reliability. Meanwhile, this part also offers and advantage of outstanding performance in parallel operation.

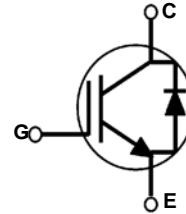
Applications

- Onboard Charger
- AirCon Compressor
- PTC Heater
- Motor Drivers
- Other automotive power-train and auxiliary applications



TO-263AB/D²-PAK

← COLLECTOR (FLANGE)



Absolute Maximum Ratings

Symbol	Description	Ratings	Units
V_{CES}	Collector to Emitter Voltage	650	V
V_{GES}	Gate to Emitter Voltage	± 20	V
	Transient Gate to Emitter Voltage	± 30	V
I_C	Collector Current @ $T_C = 25\text{ }^\circ\text{C}$	80	A
	Collector Current @ $T_C = 100\text{ }^\circ\text{C}$	40	A
I_{CM}	Pulsed Collector Current (Note 2)	120	A
I_F	Diode Forward Current @ $T_C = 25\text{ }^\circ\text{C}$	40	A
	Diode Forward Current @ $T_C = 100\text{ }^\circ\text{C}$	20	A
I_{FM}	Pulsed Diode Maximum Forward Current (Note 2)	120	A
P_D	Maximum Power Dissipation @ $T_C = 25\text{ }^\circ\text{C}$	267	W
	Maximum Power Dissipation @ $T_C = 100\text{ }^\circ\text{C}$	134	W
SCWT	Short Circuit Withstand Time @ $T_C = 25\text{ }^\circ\text{C}$	5	μs
T_J	Operating Junction Temperature	-55 to +175	$^\circ\text{C}$
T_{stg}	Storage Temperature Range	-55 to +175	$^\circ\text{C}$
T_L	Maximum Lead Temp. for soldering Purposes, 1/8" from case for 5 seconds	300	$^\circ\text{C}$

Notes:

- 1: $V_{CC} = 400\text{ V}$, $V_{GE} = 15\text{ V}$, $I_C = 120\text{ A}$, $R_G = 20\ \Omega$, Inductive Load
- 2: Repetitive rating; pulse width limited by max. junction temperature

Package Marking and Ordering Information

Device Marking	Device	Package	Reel Size	Tape Width	Qty per Reel
FGB40T65SPD	FGB40T65SPD_F085	TO-263AB/D2-PAK	-	-	800ea

Electrical Characteristics of the IGBT T_C = 25 °C unless otherwise noted

Symbol	Parameter	Test Conditions	Min.	Typ.	Max.	Units
Off Characteristics						
BV_{CES}	Collector to Emitter Breakdown Voltage	$V_{GE} = 0V, I_C = 1mA$	650	-	-	V
$\frac{\Delta BV_{CES}}{\Delta T_J}$	Temperature Coefficient of Breakdown Voltage	$V_{GE} = 0V, I_C = 1mA$	-	0.6	-	V/°C
I_{CES}	Collector Cut-Off Current	$V_{CE} = V_{CES}, V_{GE} = 0V$	-	-	250	μA
I_{GES}	G-E Leakage Current	$V_{GE} = V_{GES}, V_{CE} = 0V$	-	-	± 400	nA
On Characteristics						
$V_{GE(th)}$	G-E Threshold Voltage	$I_C = 40mA, V_{CE} = V_{GE}$	4.0	5.8	7.5	V
$V_{CE(sat)}$	Collector to Emitter Saturation Voltage	$I_C = 40A, V_{GE} = 15V$	-	2.0	2.4	V
		$I_C = 40A, V_{GE} = 15V, T_C = 175 °C$	-	2.9	-	V
Dynamic Characteristics						
C_{ies}	Input Capacitance	$V_{CE} = 30V, V_{GE} = 0V, f = 1MHz$	-	1520	-	pF
C_{oes}	Output Capacitance		-	92	-	pF
C_{res}	Reverse Transfer Capacitance		-	15	-	pF
Switching Characteristics						
$T_{d(on)}$	Turn-On Delay Time	$V_{CC} = 400V, I_C = 40A, R_G = 6\Omega, V_{GE} = 15V, \text{Inductive Load}, T_C = 25 °C$	-	18	-	ns
T_r	Rise Time		-	26	-	ns
$T_{d(off)}$	Turn-Off Delay Time		-	35	-	ns
T_f	Fall Time		-	10	-	ns
E_{on}	Turn-On Switching Loss		-	0.97	-	mJ
E_{off}	Turn-Off Switching Loss		-	0.28	-	mJ
E_{ts}	Total Switching Loss		-	1.25	-	mJ
$T_{d(on)}$	Turn-On Delay Time	$V_{CC} = 400V, I_C = 40A, R_G = 6\Omega, V_{GE} = 15V, \text{Inductive Load}, T_C = 175 °C$	-	14	-	ns
T_r	Rise Time		-	35	-	ns
$T_{d(off)}$	Turn-Off Delay Time		-	38	-	ns
T_f	Fall Time		-	13	-	ns
E_{on}	Turn-On Switching Loss		-	1.61	-	mJ
E_{off}	Turn-Off Switching Loss		-	0.47	-	mJ
E_{ts}	Total Switching Loss		-	2.08	-	mJ
T_{SC}	Short Circuit Withstand Time	$V_{CC} = 400V, V_{GE} = 15V, R_G = 10\Omega$	5	-	-	μs

Electrical Characteristics of the IGBT (Continued)

Symbol	Parameter	Test Conditions	Min.	Typ.	Max	Units
Q_g	Total Gate Charge	$V_{CE} = 400V, I_C = 40A,$ $V_{GE} = 15V$	-	36	-	nC
Q_{ge}	Gate to Emitter Charge		-	12	-	nC
Q_{gc}	Gate to Collector Charge		-	11	-	nC

Electrical Characteristics of the Diode $T_C = 25^\circ C$ unless otherwise noted

Symbol	Parameter	Test Conditions	Min.	Typ.	Max	Units	
V_{FM}	Diode Forward Voltage	$I_F = 20A$	$T_C = 25^\circ C$	-	2.0	2.7	V
			$T_C = 175^\circ C$	-	1.8	-	
E_{rec}	Reverse Recovery Energy	$I_F = 20A,$ $di_F/dt = 200A/\mu s$	$T_C = 175^\circ C$	-	51	-	μJ
T_{rr}	Diode Reverse Recovery Time		$T_C = 25^\circ C$	-	34	-	ns
			$T_C = 175^\circ C$	-	206	-	
Q_{rr}	Diode Reverse Recovery Charge		$T_C = 25^\circ C$	-	56	-	nC
		$T_C = 175^\circ C$	-	731	-		

Thermal Characteristics

Symbol	Parameter	Typ.	Max.	Units
$R_{\theta JC}(IGBT)$	Thermal Resistance, Junction to Case	-	0.56	$^\circ C/W$
$R_{\theta JC}(Diode)$	Thermal Resistance, Junction to Case	-	1.71	$^\circ C/W$
$R_{\theta JA}$	Thermal Resistance, Junction to Ambient	-	40	$^\circ C/W$

Typical Performance Characteristics

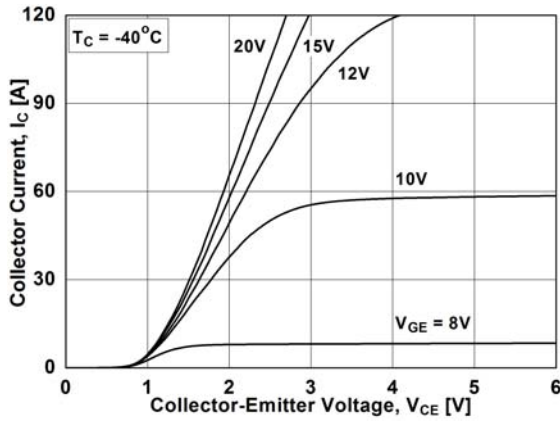


Figure 1. Typical Output Characteristics

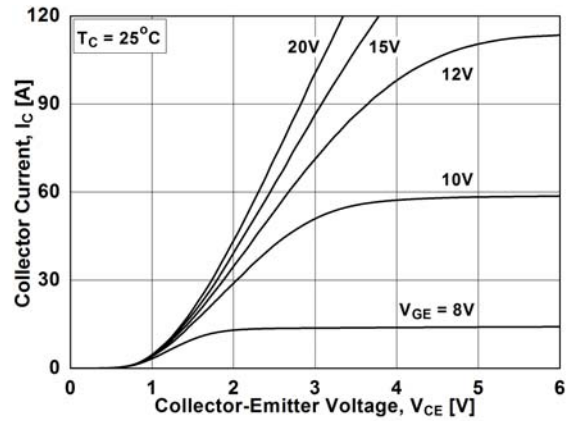


Figure 2. Typical Output Characteristics

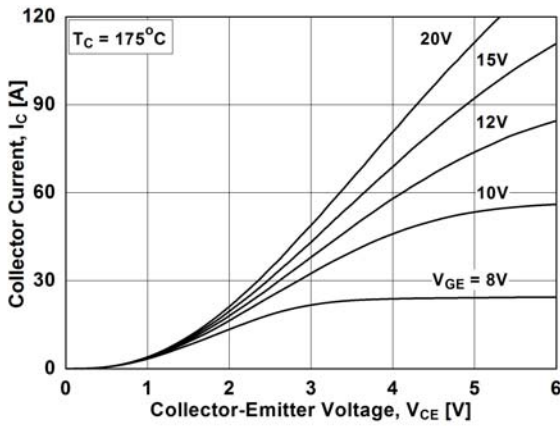


Figure 3. Typical Output Characteristics

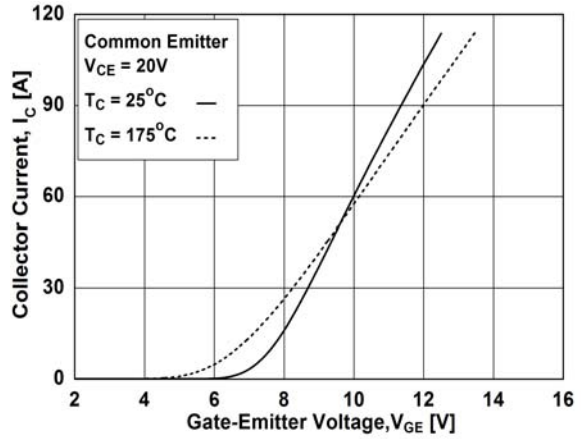


Figure 4. Transfer Characteristic

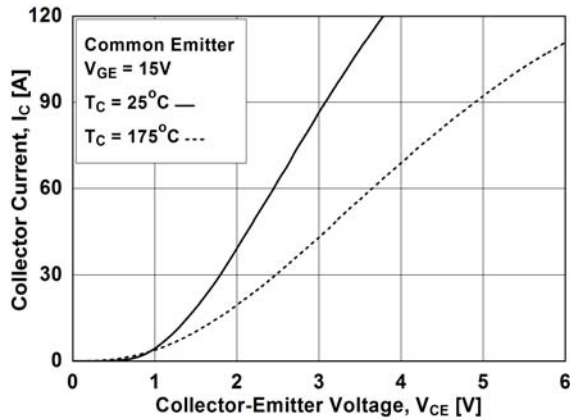


Figure 5. Typical Saturation Voltage

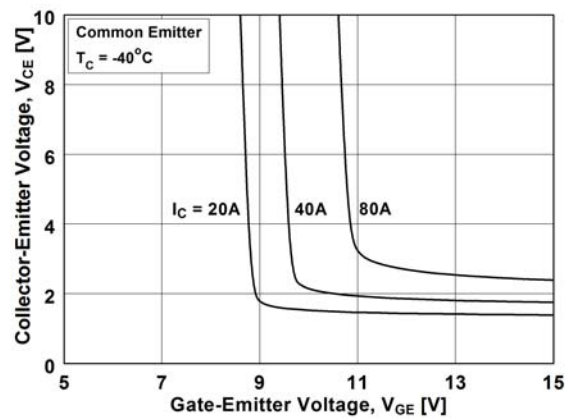


Figure 6. Saturation Voltage vs. V_{GE} Characteristics

Typical Performance Characteristics

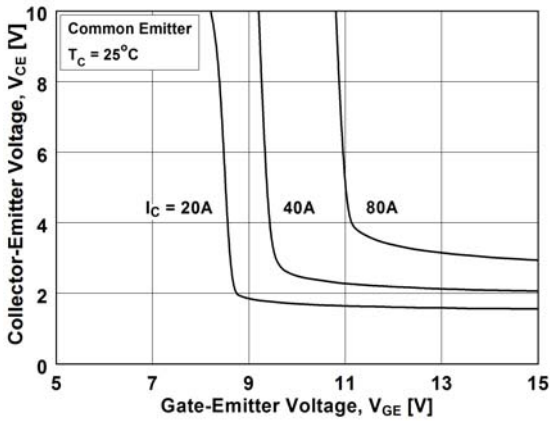


Figure 7. Saturation Voltage vs. V_{GE}

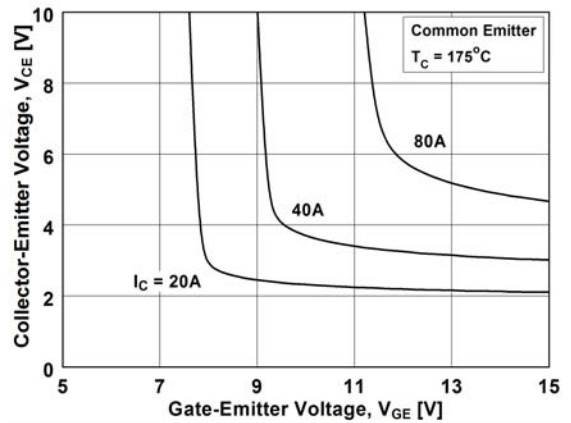


Figure 8. Saturation Voltage vs. V_{GE}

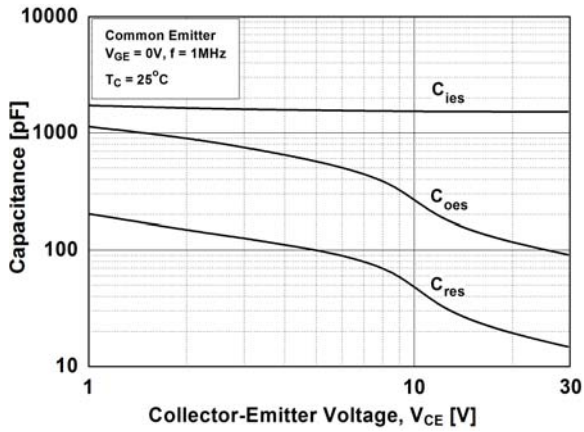


Figure 9. Capacitance Characteristics

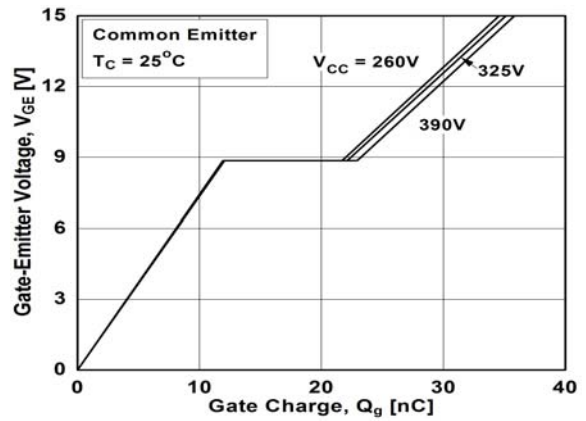


Figure 10. Gate charge Characteristics

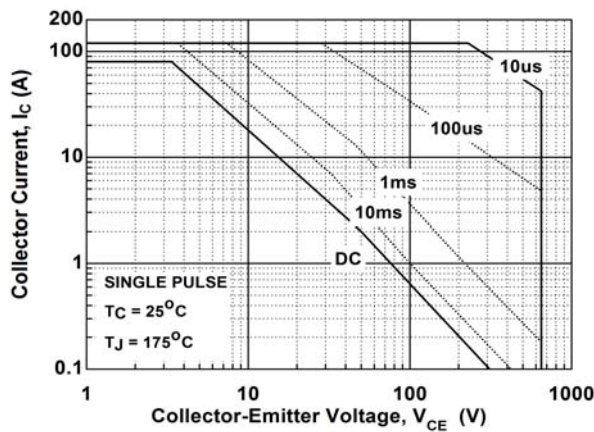


Figure 11. SOA Characteristics

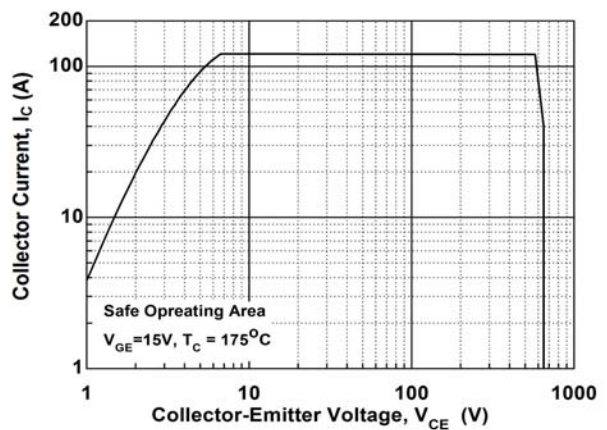


Figure 12. Turn off Switching SOA Characteristics

Typical Performance Characteristics

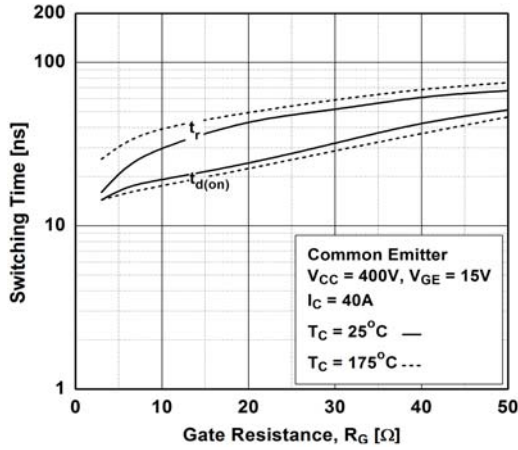


Figure 13. Turn-on Characteristics vs. Gate Resistance

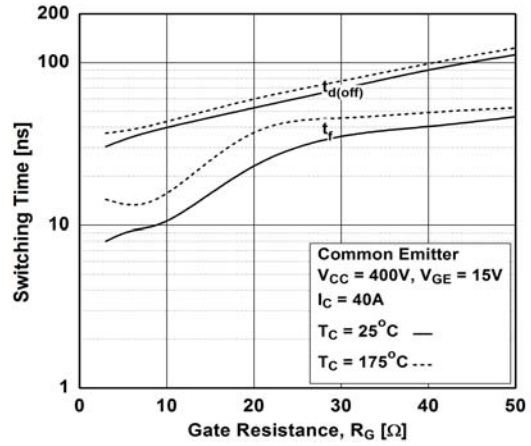


Figure 14. Turn-off Characteristics vs. Gate Resistance

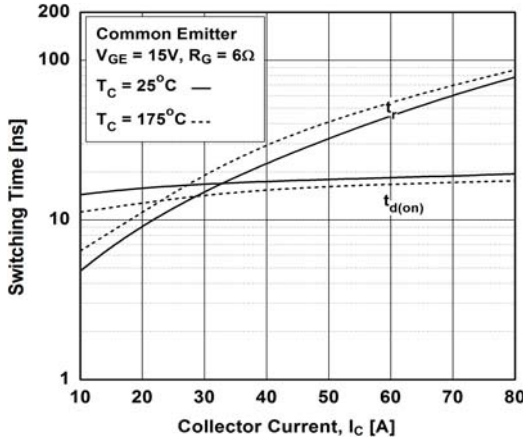


Figure 15. Turn-on Characteristics vs. Collector Current

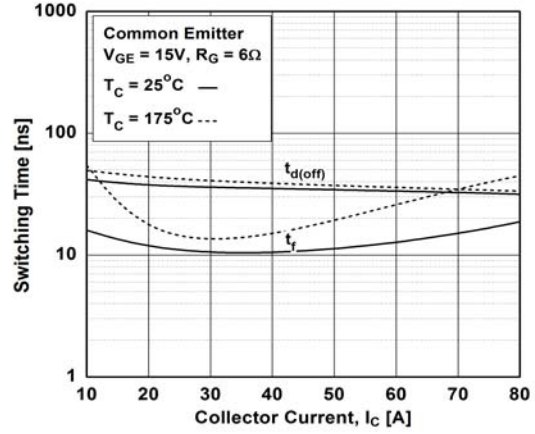


Figure 16. Turn-off Characteristics vs. Collector Current

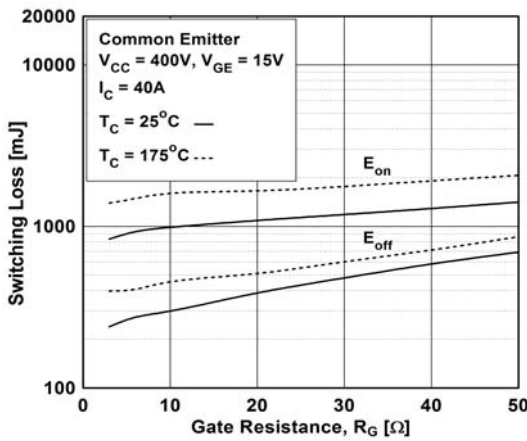


Figure 17. Switching Loss vs Gate Resistance

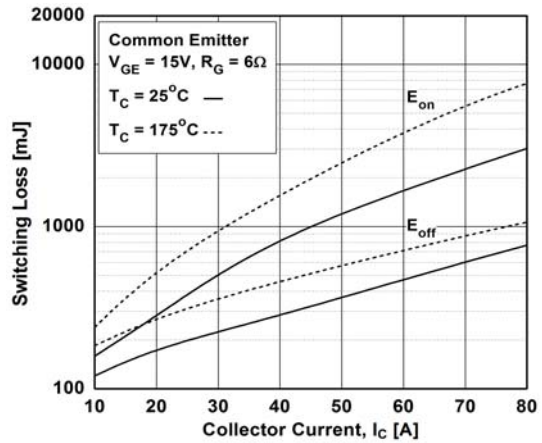


Figure 18. Switching Loss vs Collector Current

Typical Performance Characteristics

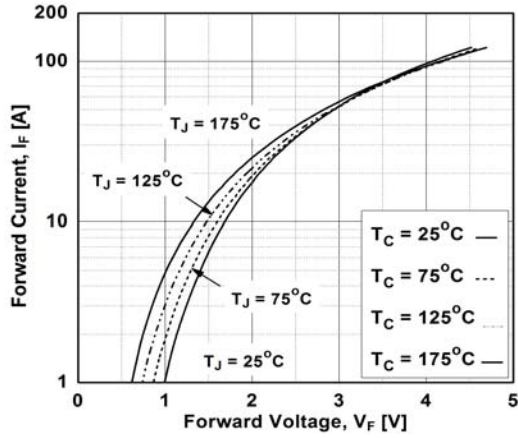


Figure 19. Forward Characteristics

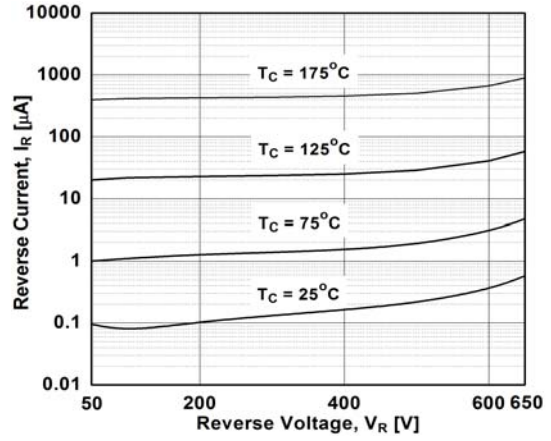


Figure 20. Reverse Current

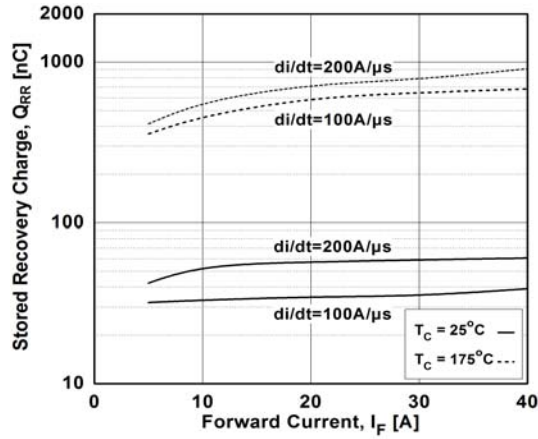


Figure 21. Stored Charge

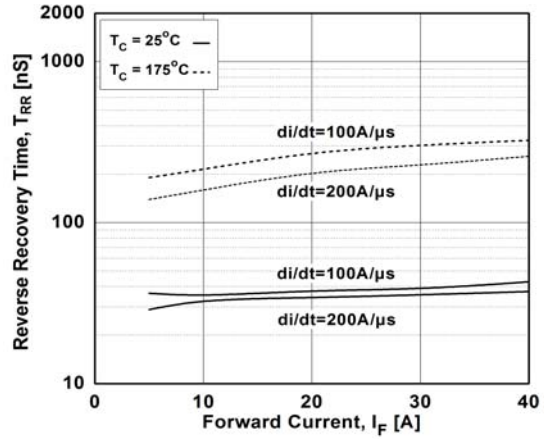


Figure 22. Reverse Recovery Time

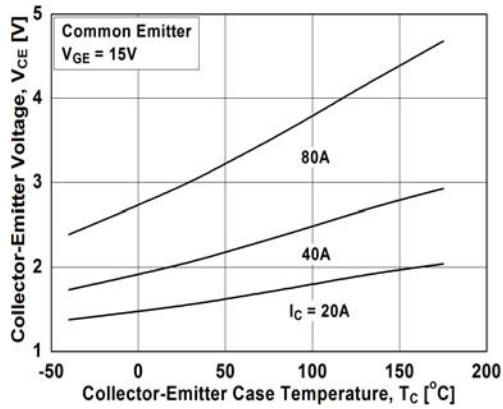


Figure 23. Saturation Voltage vs. Case Temperature at Variant Current Level

Typical Performance Characteristics

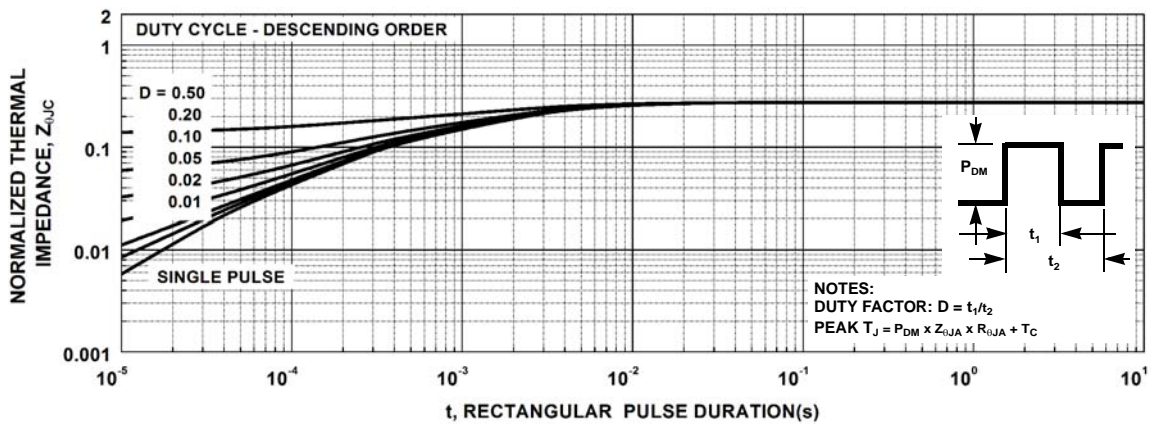


Figure 24. Transient Thermal Impedance of IGBT

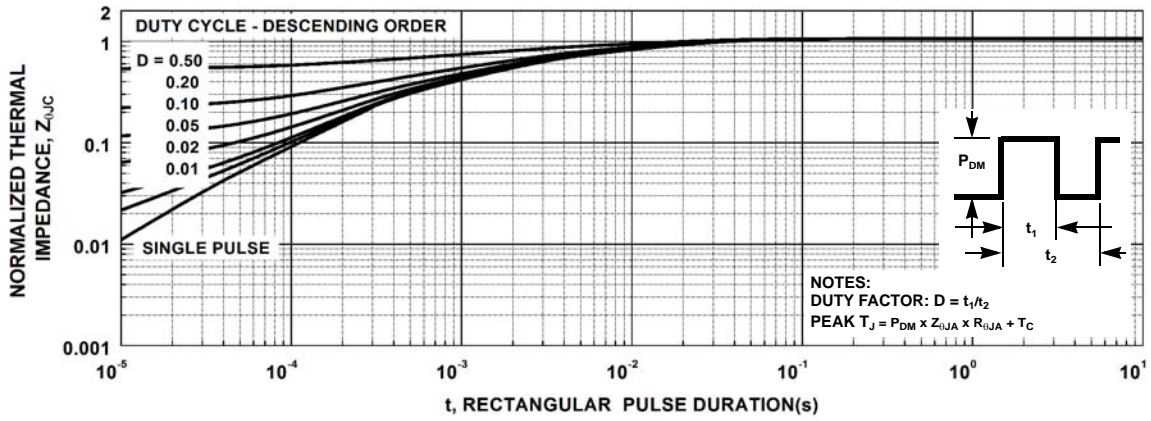
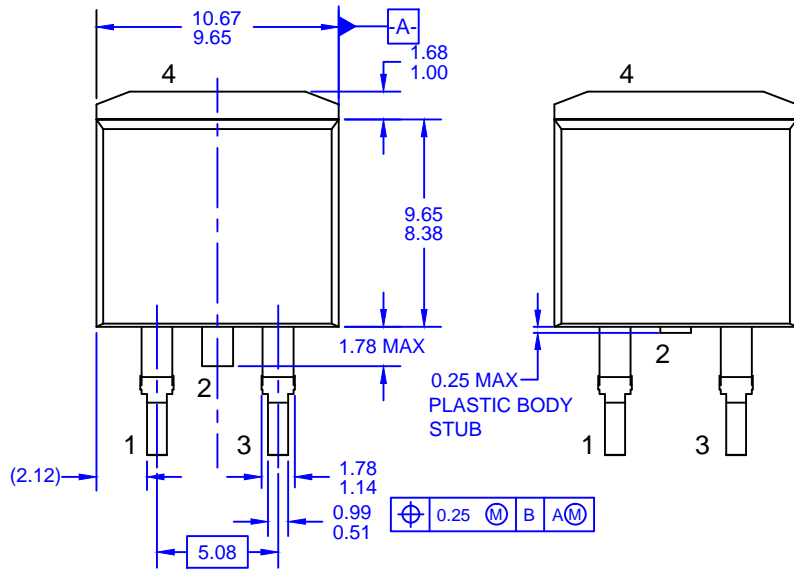
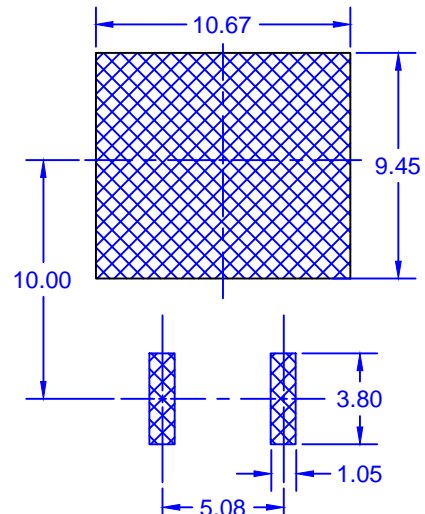


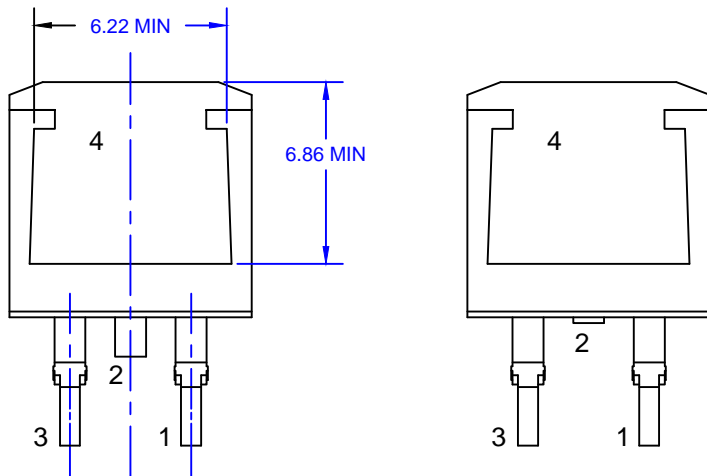
Figure 25. Transient Thermal Impedance of Diode



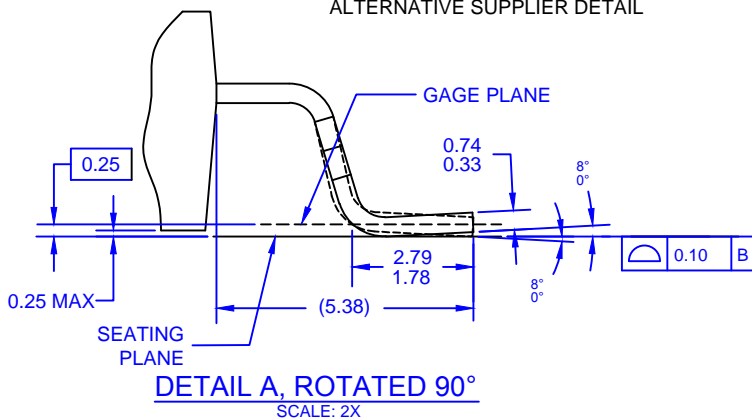
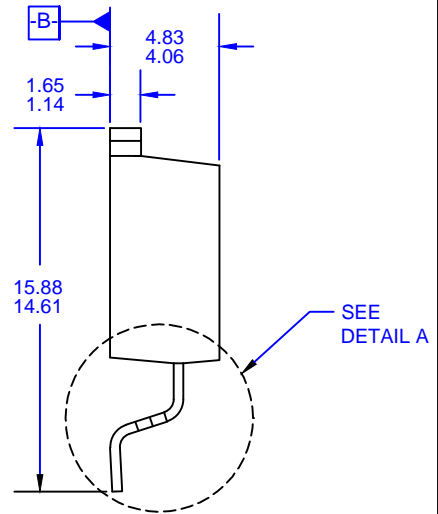
FRONT VIEW - DIODE PRODUCTS VERSION
ALTERNATIVE SUPPLIER DETAIL



LAND PATTERN RECOMMENDATION
UNLESS NOTED, ALL DIMS TYPICAL



BACK VIEW - DIODE PRODUCTS VERSION
ALTERNATIVE SUPPLIER DETAIL



DETAIL A, ROTATED 90°
SCALE: 2X

NOTES: UNLESS OTHERWISE SPECIFIED

- A) ALL DIMENSIONS ARE IN MILLIMETERS.
- B) REFERENCE JEDEC, TO-263, VARIATION AB.
- C) DIMENSIONING AND TOLERANCING PER ASME Y14.5 - 2009.
- D) LOCATION OF THE PIN HOLE MAY VARY (LOWER LEFT CORNER, LOWER CENTER AND CENTER OF THE PACKAGE).
- E) LANDPATTERN RECOMMENDATION PER IPC TO254P1524X482-3N
- F) FILENAME: TO263A02REV8



ON Semiconductor and  are trademarks of Semiconductor Components Industries, LLC dba ON Semiconductor or its subsidiaries in the United States and/or other countries. ON Semiconductor owns the rights to a number of patents, trademarks, copyrights, trade secrets, and other intellectual property. A listing of ON Semiconductor's product/patent coverage may be accessed at www.onsemi.com/site/pdf/Patent-Marking.pdf. ON Semiconductor reserves the right to make changes without further notice to any products herein. ON Semiconductor makes no warranty, representation or guarantee regarding the suitability of its products for any particular purpose, nor does ON Semiconductor assume any liability arising out of the application or use of any product or circuit, and specifically disclaims any and all liability, including without limitation special, consequential or incidental damages. Buyer is responsible for its products and applications using ON Semiconductor products, including compliance with all laws, regulations and safety requirements or standards, regardless of any support or applications information provided by ON Semiconductor. "Typical" parameters which may be provided in ON Semiconductor data sheets and/or specifications can and do vary in different applications and actual performance may vary over time. All operating parameters, including "Typicals" must be validated for each customer application by customer's technical experts. ON Semiconductor does not convey any license under its patent rights nor the rights of others. ON Semiconductor products are not designed, intended, or authorized for use as a critical component in life support systems or any FDA Class 3 medical devices or medical devices with a same or similar classification in a foreign jurisdiction or any devices intended for implantation in the human body. Should Buyer purchase or use ON Semiconductor products for any such unintended or unauthorized application, Buyer shall indemnify and hold ON Semiconductor and its officers, employees, subsidiaries, affiliates, and distributors harmless against all claims, costs, damages, and expenses, and reasonable attorney fees arising out of, directly or indirectly, any claim of personal injury or death associated with such unintended or unauthorized use, even if such claim alleges that ON Semiconductor was negligent regarding the design or manufacture of the part. ON Semiconductor is an Equal Opportunity/Affirmative Action Employer. This literature is subject to all applicable copyright laws and is not for resale in any manner.

PUBLICATION ORDERING INFORMATION

LITERATURE FULFILLMENT:

Literature Distribution Center for ON Semiconductor
19521 E. 32nd Pkwy, Aurora, Colorado 80011 USA
Phone: 303-675-2175 or 800-344-3860 Toll Free USA/Canada
Fax: 303-675-2176 or 800-344-3867 Toll Free USA/Canada
Email: orderlit@onsemi.com

N. American Technical Support: 800-282-9855 Toll Free
USA/Canada
Europe, Middle East and Africa Technical Support:
Phone: 421 33 790 2910
Japan Customer Focus Center
Phone: 81-3-5817-1050

ON Semiconductor Website: www.onsemi.com
Order Literature: <http://www.onsemi.com/orderlit>
For additional information, please contact your local
Sales Representative