

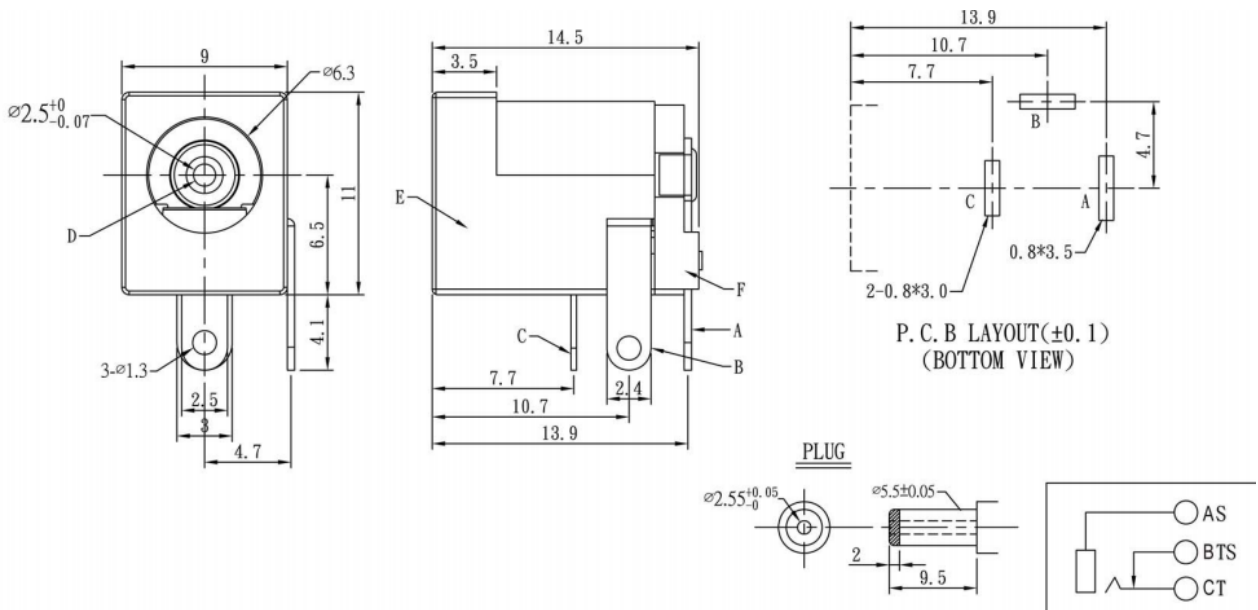
Professionally approved products.

Datasheet

Straight PCB Mount DC Power Socket

RS Stock number [448-376](#)

Dimensions: (mm)



Specifications

No.	Description	Unit	Materials	Finish/ Colour
1	Terminal	1	Brass	Silver
2	Tip Shunt	1	Brass	Silver
3	Tip	1	PBS	Silver
4	Pin	1	Brass	Nickel
5	Housing	1	PBT	Black
6	Cover	1	PBT	Black