



FUN-7

Introduction:

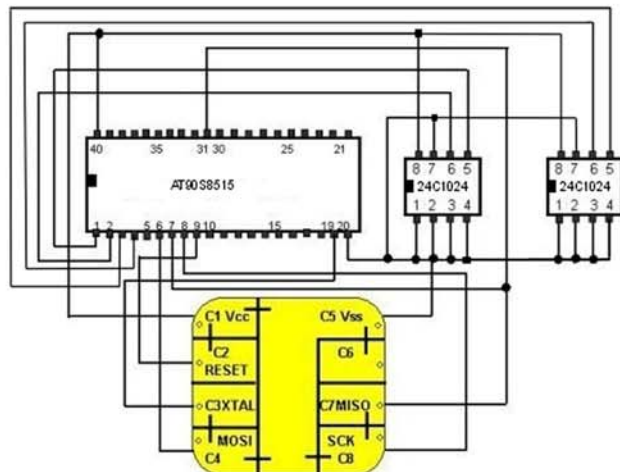
Microcontrôleur smartcard with 2 x i2C serial EEPROMs
Manufacturer : ATMEL
Reference : AT90S8515 + 2 x AT24C1024
Blank smartcard without programs to makes prototype.
Serial programming only..
Read / Write mode : see datasheet of ATMEL.

Features:

Power supply : 4,5V à 5,5V.
Absolute maximum power : -1,0V à +6,0V.
Flash memory : 4Koctets de 16bits
SRAM internal : 512 octets de 8 bits
EEPROM internal : 512 octets de 8 bits
EEPROM external1 : 131072 octets de 8 bits
EEPROM external2 : 131072 octets de 8 bits
Max frequency : 8MHz
Erase / Write cycles : ~1.000.000 time minimum.
Data retention : 10 years minimum.
Température : 0°C to +70°C.
Dimensions : 85 x 53 x 1 mm.
Weight : 10g.

Contact connetions:

Vcc : power supply
Vss : ground
RESET : reset (input)
XTAL : horloge (input)
SCK : Horloge (output)
MOSI : data (output)
MISO : data (input)



Include:

Smartcard under plastic.