

4

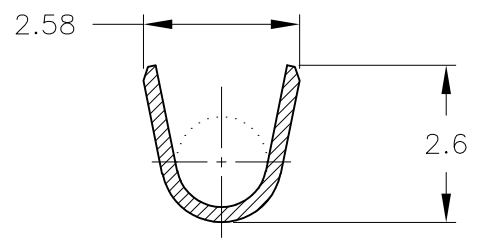
3

2

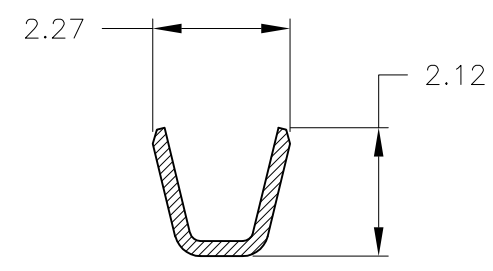
1

THIS DRAWING IS UNPUBLISHED. RELEASED FOR PUBLICATION
 © COPYRIGHT - ALL RIGHTS RESERVED.

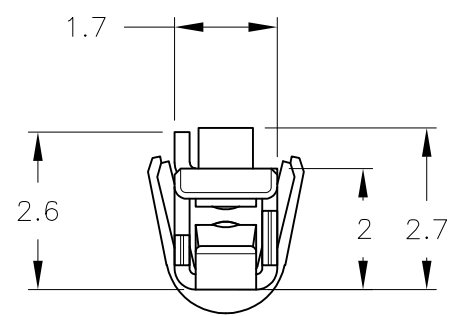
LOC	DIST	REVISIONS			
P	LTR	DESCRIPTION	DATE	DWN	APVD
		C REVISED	11APR2014	T.S	N.Y



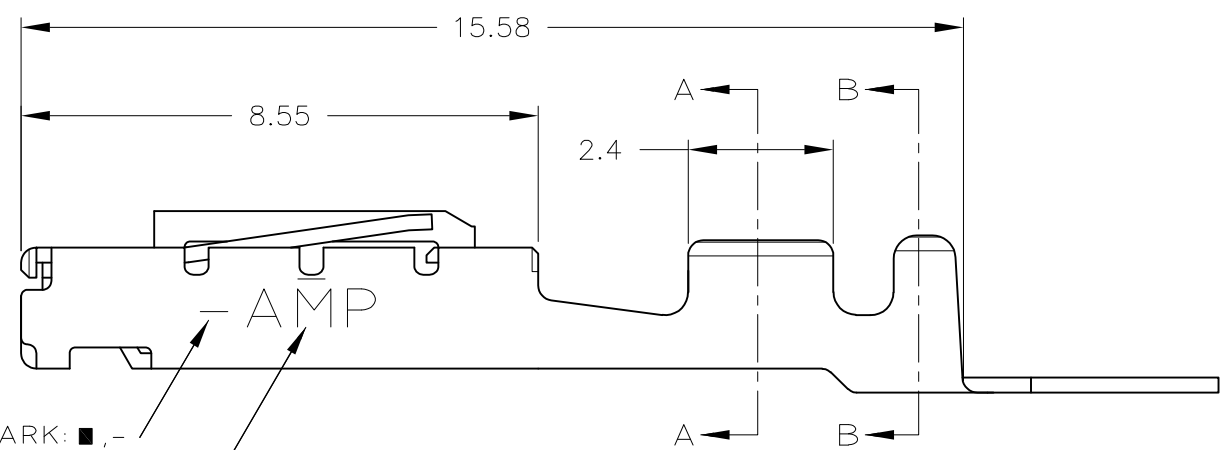
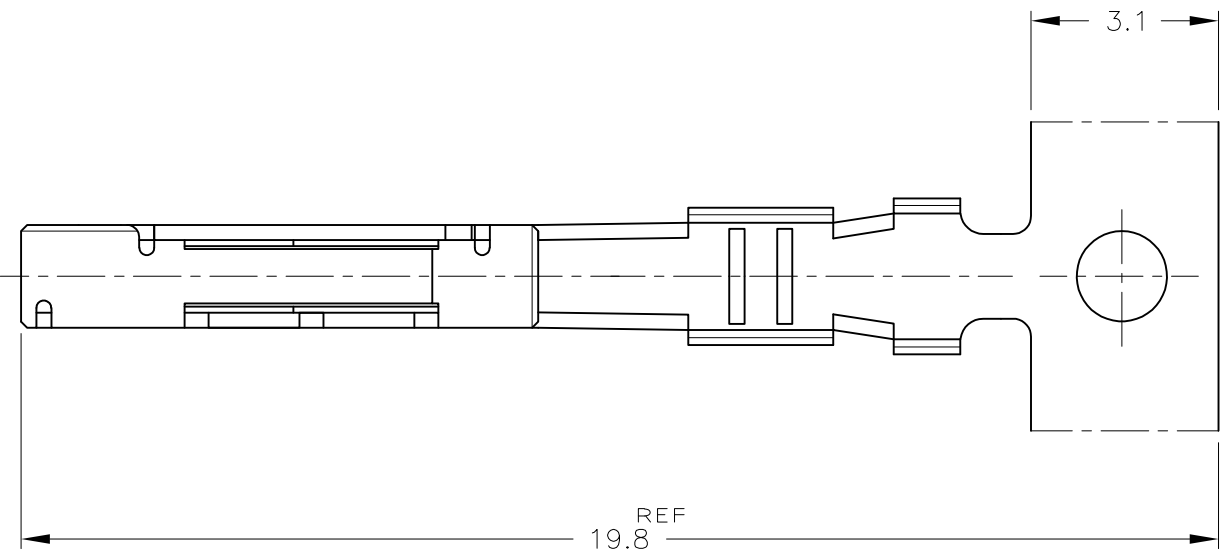
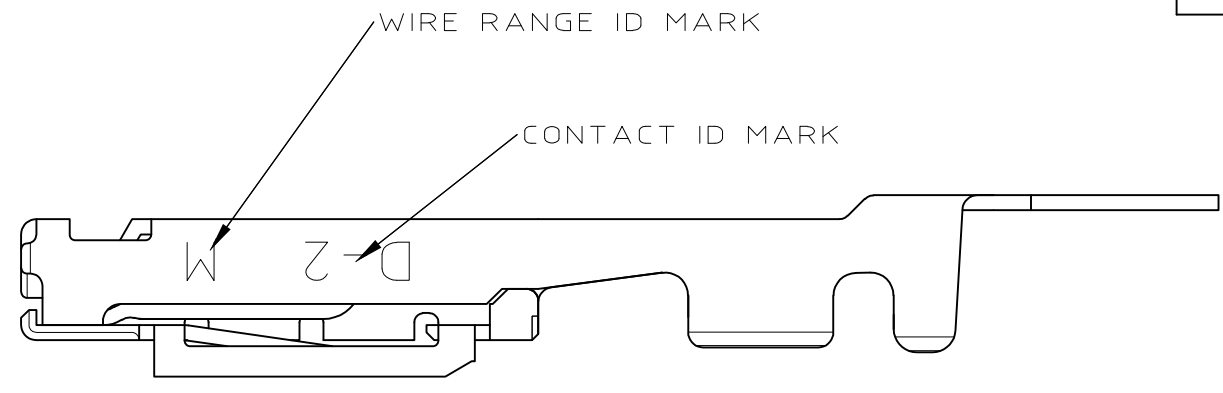
SECT B-B



SECT A-A



TOOLING ID MARK: ■, -



AMP MARK

-1:AS SHOWN

NOTES

- 1. FINISH(CONTACT AREA):0.38μmMIN GOLD PLATING OVER Ni PLATING

DIMENSIONS: mm		TOLERANCES UNLESS OTHERWISE SPECIFIED		DWN K.IKEDA 7/DEC/'98	WIRE RANGE AWG #22~#18	INSULATION DIA 1.3~1.9	
		10 ± 0.3 $>10 \pm 0.35$ $>30 \pm 0.4$ ANGLE: $\pm 3'$		CHK N.MATSUBARA 7/DEC/'98	TE Connectivity REC CONTACT 'M' SIZE <DYNAMIC D-2 SERIES>		
				APVD I.HASEGAWA 7/DEC/'98			
MATERIAL (COPPER ALLOY)		FINISH SEE NOTE		PRODUCT SPEC 108-5619	SIZE A3	CAGE CODE 00779	DRAWING NO C-1318105
				APPLICATION SPEC 114-5258	RESTRICTED TO -		SCALE 8-1
				WEIGHT CUSTOMER DRAWING	SHEET 1 OF 1		REV C