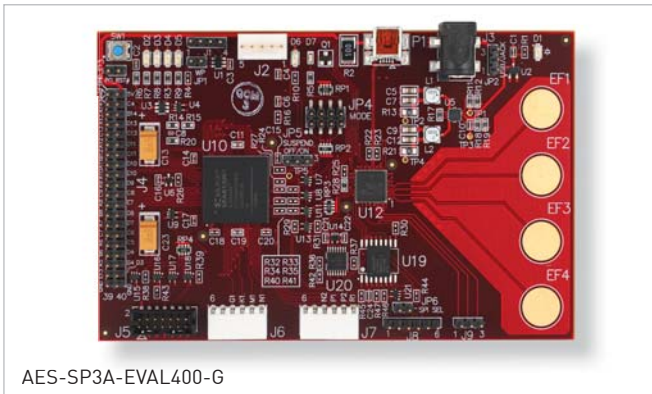


XILINX® SPARTAN™-3A Evaluation Kit



AES-SP3A-EVAL400-G

The Xilinx Spartan-3A Evaluation Kit provides an easy to use, low cost platform for experimenting and prototyping applications based on the Xilinx Spartan-3A FPGA family.

Designed as an entry level kit, first time FPGA designers will find the board's functions straight forward and practical, while advanced users will appreciate some of the unique capabilities included in the board design. The Spartan-3A board uses the 400,000 gate 3S400A FPGA from Xilinx. With over 8,000 logic cells available, this FPGA is ideal for exploring general logic designs as well as DSP and MicroBlaze based embedded processing applications. Besides the FPGA, the board also includes a Cypress PSoC Mixed Signal Array which functions as a "companion chip" to the Spartan-3A. The PSoC device is pre-configured to enable direct programming of the FPGA, SPI Flash memory and parallel Flash memory through a Windows-based programming application. Spansion SPI and parallel Flash memories are included for FPGA configuration storage, code storage and data file storage. The board's cost optimised power supply from Texas Instruments allows for powering from either a USB port or a 5V AC/DC wall adapter. Other general purpose peripherals like switches, LEDs, user I/O and clocks round out the board functions.

XILINX SPARTAN-3A EVALUATION KIT INCLUDES:

- Evaluation board
- ISE™ WebPACK™ 10.1 DVD
- USB cable
- Windows® programming application
- Downloadable documentation and reference designs

FEATURES:

- Xilinx XC3S400A-4FTG256C Spartan-3A FPGA
- Cypress PSoC programming Unit (Normal Price \$49)

I/O Peripherals

- PSoC® configuration
- Four LEDs
- Four CapSense switches
- I²C temperature sensor

Board I/O Connectors

- Two 6-pin expansion headers
- 20x2, 0.1-inch user I/O header

Memory

- 4MB Spansion™ Parallel Flash
- 128MB Spansion SPI Flash

Communication

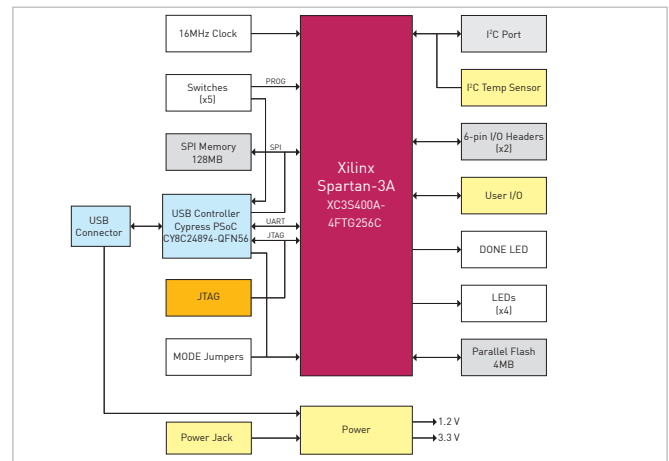
- USB-UART bridge
- I²C port

Configuration

- SPI and BPI
- Xilinx JTAG interface

TARGET APPLICATIONS:

- General FPGA prototyping
- MicroBlaze™ systems
- Cypress® PSoC evaluation
- Configuration development
- USB powered controller



MANUFACTURERS PARTNUMBER:



CY8C24894 PSoC



MAX7381 3-Pin Oscillator



S25FL128P SPI Flash
S29GL032N Parallel Flash



TMP100 Temp Sensor TPS3106 Supervisor
TPS3809 Supervisor TPS62290 x2 Single Step Down



XC3S400A FPGA