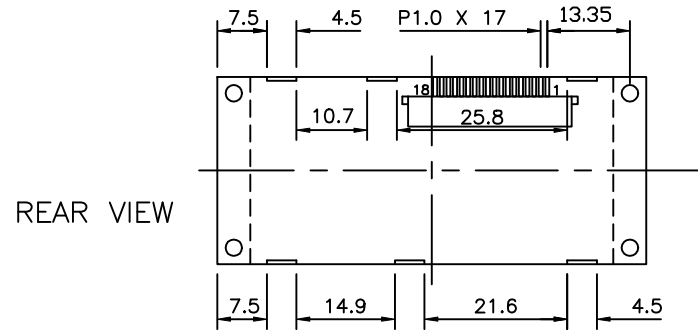
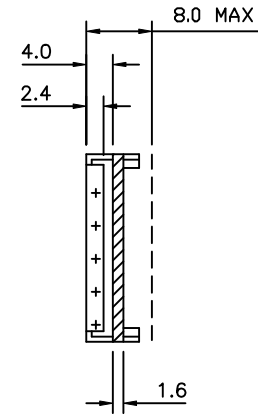
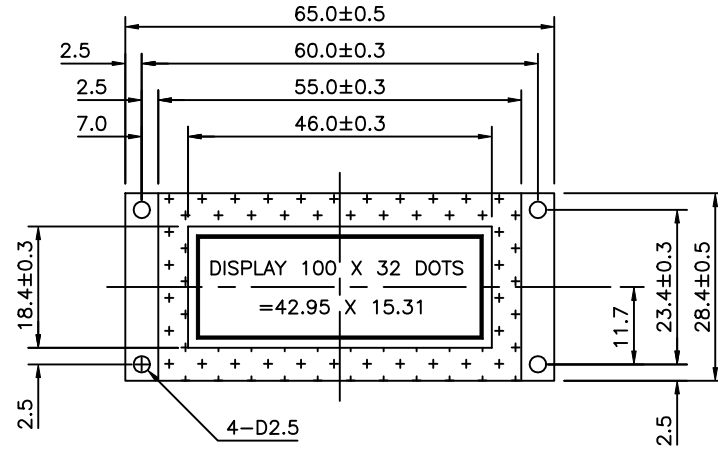
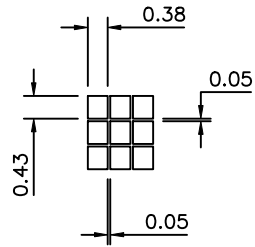


# MGL(S)-10032D

100 X 32 DOTS



1	2	3	4	5	6	7	8	9	10	11	12	13	14	15	16	17	18
VSS	VDD	V0	A0	R/W	E1	E2	NC	DB0	DB1	DB2	DB3	DB4	DB5	DB6	DB7	LED+	LED-

