

# ELECTRONIC LOCKING

## Electromagnetic locks - Single Doors



further information section 8

### General Description

Face to face magnetic locks surface mount on the underside of the head frame, with the armature fixed to the face of the door. The locks can be activated by any of the Locking Systems access control products with compatible voltage.

### Construction

Units are constructed from die cast or extruded aluminium bodies with a steel armature.

### Main Features

- Holding force up to 1500lb
- 12 or 24v AC or DC versions
- Monitored versions available
- All devices fail unlocked
- Flush and surface mounting armature kit available
- Door sense option
- 10 year conditional guarantee 2000 & 3000 series

### Finishes

SAA Satin anodised aluminium as standard

Also available in bronze, brass and chrome finishes (2000 and 3000 units only)



### Product Selector

item ref	description and features	voltage	holding force
<b>ML5011</b>	Standard unit, unmonitored	12/24v DC	1200lb
<b>ML5011M</b>	Standard unit, monitored	12/24v DC	1200lb
<b>2011</b>	Unit for outswing doors only	12/24v DC	1200lb
<b>2011TJ</b>	Unit for inswing with Z bracket	12/24v DC	1200lb
<b>3000</b>	Unit for outswing doors only	12/24v AC/DC	1500lb

### Technical Alert

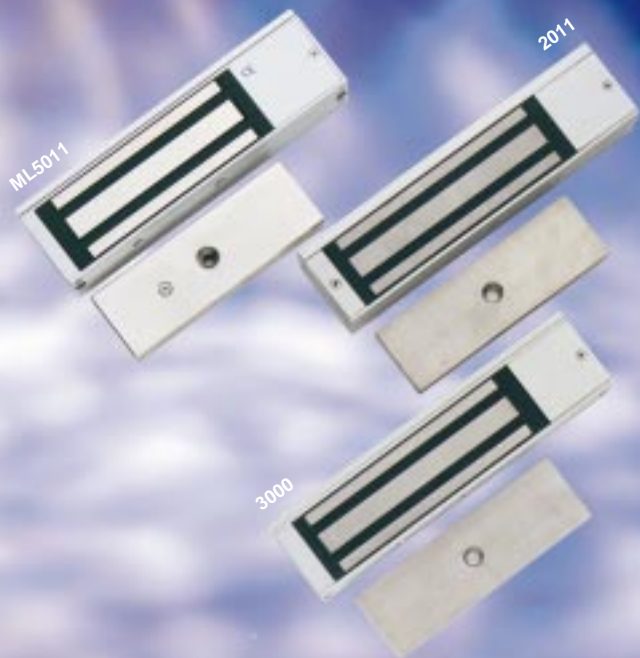
These magnets, unless shown otherwise, are for fixing to outswing doors only. They may be converted for use on inward opening doors by using the Z and L brackets available (see accessories overleaf and index tab sheet).

When fitting to underside of transom beware of clearance height.

Ensure the correct voltage is selected to match the PSU being used.

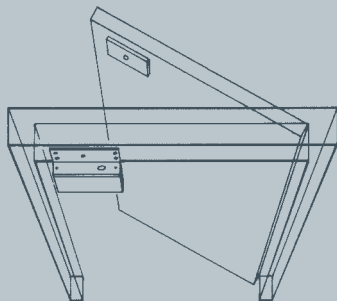
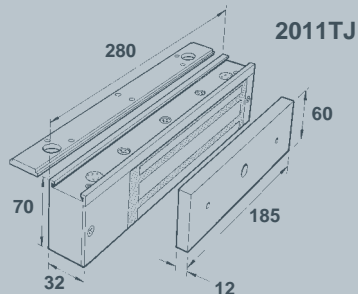
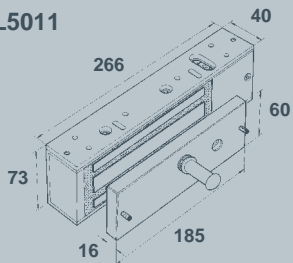
Output function relay rated 500mA@12V (ML5011).

Externally exposed faces require regular maintenance to the faces of the product by applying a light oil.

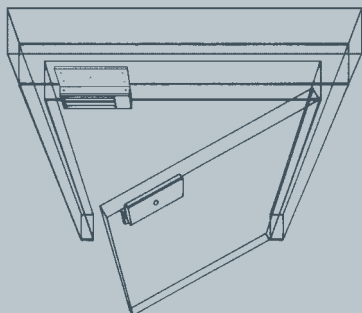
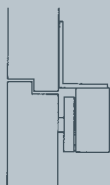


# Electromagnetic locks - Single Doors

ML5011



outward opening door  
magnet mounted on L bracket



inward opening door  
magnet mounted on L bracket  
armature mounted on Z bracket

## Technical Profile

item ref	voltage	current	dimensions l x h x w
ML5011	12/24v DC	500mA @ 12v;	266 x 73 x 40
ML5011M	12/24v DC	250mA @ 24v	
2011	12/24v DC	440mA @ 12v;	280 x 70 x 32
2011TJ	12/24v DC	220mA @ 24v	
3000	12/24v AC/DC		280 x 70 x 38

Note: voltage is site selectable via links

## Accessories

- ML5011L Adjustable L bracket
- ML5011ZL Z and L bracket set
- E09 Flush mounting armature housing
- ML5011SUR Surface mounted armature housing for ML5000 series

## Options and accessories for 2000 and 3000 series

- 3500 Custom housing (760mm - 1220mm) for single magnet left hand
- 3600 Custom housing (760mm - 1220mm) for single magnet right hand
- 3700 Custom housing (up to 2440mm) for mounting 2 magnets vertically on a single door
- 3800 Custom housing for mounting 2 magnets horizontally
- DSM Door Status Monitor
- DYNST Dynastat magnetic bond sensor
- L1 One LED indicator
- 4511 L shaped bracket for 32mm overhang of frame
- 4711 L shaped bracket for fitting to flush transom
- 3203 Adjustable Z bracket to convert 3000 magnet to inswing operation
- 4850 Armature bracket for APG, for use with 2000 and 3000 series magnets (glass thickness must be specified)

# ELECTRONIC LOCKING

## Electromagnetic locks - Double Doors



further information section 8

### General Description

Face to face magnetic locks surface mount on the underside of the head frame, with the armature fixed to the face of the door. The locks can be activated by any of the Locking Systems access control products with compatible voltage.

### Construction

Units are constructed from die cast or extruded aluminium bodies with a steel armature.

### Main Features

- Holding force up to 1500lb
- 12 or 24v AC or DC versions
- Monitored versions available
- All devices fail unlocked
- Flush and surface mounting armature kit available
- Door sense option
- 10 year conditional guarantee 2000 & 3000 series

### Finishes

SAA Satin anodised aluminium as standard

Also available in bronze, brass and chrome finishes (2000 and 3000 units only)



### Product Selector

item ref	description and features	voltage	holding force (security factor)
<b>ML5022</b>	Standard double unit, unmonitored	12/24v DC	1200lb (3)
<b>ML5022M</b>	Standard double unit, monitored	12/24v DC	1200lb (3)
<b>2012</b>	Single magnet with split armature	12/24v DC	600lb* (2)
<b>2022</b>	For double outswing doors only	12/24v DC	1200lb (3)
<b>3001</b>	Single magnet with split armature	12/24v DC	750lb* (2)
<b>3002</b>	For double outswing doors only	12/24v AC/DC	1500lb (3)

### Technical Alert

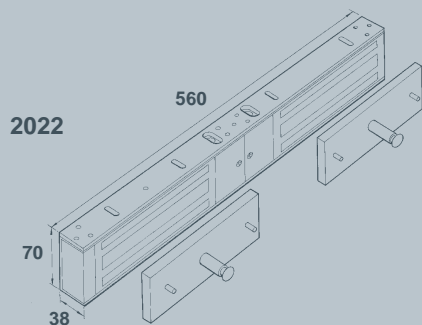
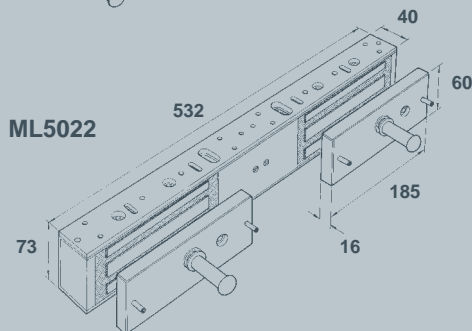
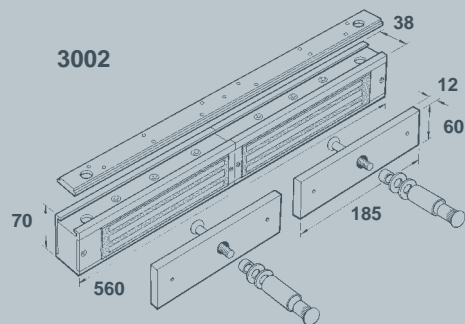
These magnets, unless shown otherwise, are for fixing to outswing doors only. They may be converted for use on inward opening doors by using the Z and L brackets available (see accessories overleaf and index tab sheet).

Output function relay rated 500mA@12V (ML5022).

\*The 2012 and 3001 magnets are single magnets with 2 half size armatures for pairs of doors. The holding force of the magnet is therefore divided across the 2 door leaves. The figure shown is the holding force per leaf.



## Technical Profile



item ref	voltage	current	dimensions l x h x w
ML5022	12/24v DC	500mA @ 12v; 250mA @ 24v	532 x 73 x 40
ML5022M	12/24v DC		
2012	12/24v DC	440mA @ 12v; 220mA @ 24v	280 x 60 x 38
2022	12/24v DC		560 x 70 x 38
3002	12/24v AC/DC	(per leaf)	560 x 70 x 38

Note: voltage is site selectable via links

### Maintenance

Externally exposed faces require regular maintenance by applying a light oil.

### Accessories

- ML5011L Adjustable L bracket
- ML5011ZL Z and L bracket set
- E09 Flush mounting armature housing
- ML5011SUR Surface mounted armature housing for ML5000 series

Note: when used on double doors, Z and L brackets must be specified for each leaf.

### Options for 2000 and 3000 series

- DSM Door Status Monitor
- DYNST Dynastat magnetic bond sensor
- L1 One LED indicator
- 4511 L shaped bracket for 32mm overhang of frame
- 4711 L shaped bracket for fitting to flush transom
- 3203 Adjustable Z bracket to convert 3002 magnet to inswing operation
- 3800 Custom housing (1520mm - 2440mm) for mounting 2 magnets horizontally across the underside of the head frame

# ELECTRONIC LOCKING

## Electromagnetic locks - mini mags

### General Description

Face to face magnetic locks surface mount on the underside of the head frame, with the armature fixed to the face of the door. The locks can be activated by any of the Locking Systems access control products with compatible voltage.

### Construction

Units are constructed from die cast or extruded aluminium bodies with a steel armature.



further information section 8



### Main Features

- Holding force up to 650lb per leaf
- 12 or 24v DC versions
- Slimline profile
- Monitored versions available
- All devices fail unlocked
- Flush and surface mounting armature kit available
- 10 year conditional guarantee 2000 series

### Finishes

SAA Satin anodised aluminium as standard

Also available in bronze, brass and chrome finishes (2000 series only)



### Product Selector

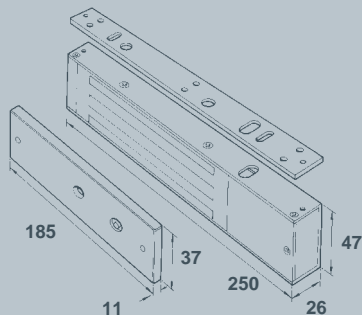
item ref	description and features	voltage	holding force
<b>ML5511</b>	Single door unit, unmonitored	12/24v DC	600lb
<b>ML5511M</b>	Single door unit, monitored	12/24v DC	600lb
<b>ML5522</b>	Double door unit, unmonitored	12/24v DC	600lb per leaf
<b>ML5522M</b>	Double door unit, monitored	12/24v DC	600lb per leaf
<b>2511</b>	Single door unit	12/24v DC	650lb
<b>2522</b>	Double door unit, outswing for pairs of doors	12/24v DC	650lb per leaf
<b>ML5600</b>	Mortice face to face magnet	12/24 v DC	600lb
<b>ML5600M</b>	As above, monitored		
<b>2600</b>	Mortice face to face magnet	12/24v DC	650lb

### Technical Alert

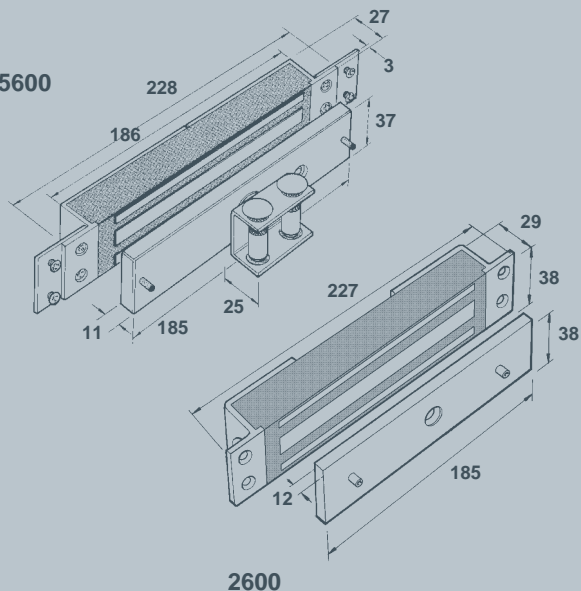
These magnets, unless shown otherwise, are for fixing to outswing doors only. They may be converted for use on inward opening doors by using the Z and L brackets available (see accessories overleaf and index tab sheet).

Externally exposed faces require regular maintenance to the faces of the product by applying a light oil.

**ML5511**



**ML5600**



## Technical Profile

item ref	voltage	current	dimensions l x h x w
<b>ML5511</b>	12/24v DC	500mA @ 12v; 250mA @ 24v (per leaf)	250 x 47 x 26
<b>ML5511M</b>	12/24v DC		250 x 47 x 26
<b>ML5522</b>	12/24v DC		500 x 47 x 26
<b>ML5522M</b>	12/24v DC		500 x 47 x 26
<b>2511</b>	12/24v DC		267 x 45 x 32
<b>2522</b>	12/24v DC		536 x 45 x 33
<b>2600</b>	12/24v DC		227 x 38 x 29
<b>ML5600</b>	12/24v DC	480mA @ 12v;	228 x 38 x 27
<b>ML5600M</b>	12/24v DC	240mA @ 24v	228 x 38 x 27

Note: voltage is selectable via links

### Accessories

- ML5511L Adjustable L bracket
  - ML5511ZL Z and L bracket set
  - E08 Flush mounting armature housing
  - E010 Surface mounted armature housing for ML5000 series
- Note: when used on double doors, Z and L brackets must be specified for each leaf.

### Accessories for 2600/5600 only

- CLH Horizontal SAA architectural housing
- CLV Vertical SAA housing for 2 No. ML5600 units.

### Accessories for 2511 only

- 3500 Custom housing (760mm - 1220mm) for single magnet left hand
- 3600 Custom housing (760mm - 1220mm) for single magnet right hand
- 3700 Custom housing (up to 2440mm) for mounting 2 magnets vertically on a single door
- 3800 Custom housing (1520mm - 2440mm) for mounting 2 magnets horizontally across the underside of the head frame



# ELECTRONIC LOCKING

## Electromagnetic locks - Shear locks



further information section 8

### General Description

Electromagnetic surface mounted and mortice shearlocks offering high holding force for greater security. The locks can be activated by any Locking Systems access control products with compatible voltage.

### Construction

Unit outer bodies are constructed from stainless steel, with steel armature.



### Main Features

- Holding force up to 3000lb
- 12 or 24v DC versions
- Single and double action door applications
- Monitored versions available
- All devices fail unlocked
- Re-lock delay versions available
- Accessories to suit APG doors
- Door position output on ML1308
- Bond sense option available on ML1308

### Product Selector

item ref	description and features	mounting	holding force (sec. factor)
ML1305	For single doors	surface	2000lb (5)
ML1306	For 100mm alum. framed doors	mortice	1155lb (4)
ML1307	For single action inswing doors	surface	1200lb (4)
ML1308	Slimline for metal or wood doors	mortice*	1600lb (4)
ML1308MBS	As above with Bond sense monitoring	mortice*	1600lb (4)
ML5044	Slimline for metal or wood doors	mortice	3000lb (5)

\*Surface kit available, ML1308SK (see accessories overleaf)

### Technical Alert

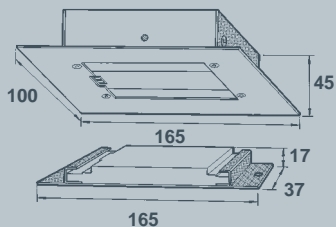
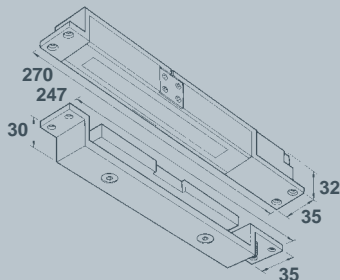
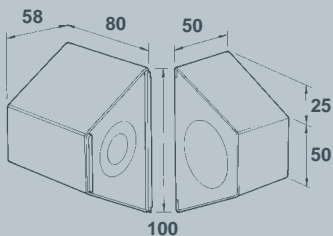
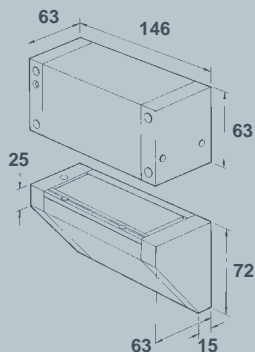
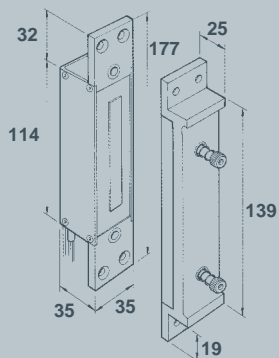
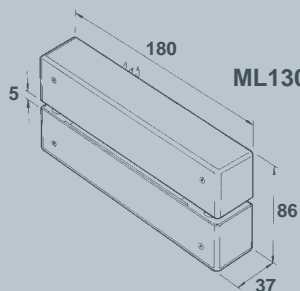
Due to the method of operation of electromagnetic shearlocks an initial high surge current may be drawn. An appropriate power supply must be specified.

Output function relay rated 500mA @ 12V (ML5044).

### Maintenance

Externally exposed faces require regular maintenance to the faces of the product by applying a light oil.

## Electromagnetic locks - Shear locks

**ML1306**

**ML5044**

**ML1307**

**ML1305**

**ML1308**

**ML1308/SK**


## Technical Profile

item ref	voltage	current	dimensions l x h x w
<b>ML1305</b>	12/24v DC	500mA@12v	146 x 63 x 63
	selectable	250mA@24v	
<b>ML1306</b>	12v DC	500mA@12v	165 x 100 x 45
<b>ML1307</b>	12/24v DC	500mA@12v	100 x 80 x 58
	sel. via DIL switch	250mA@24v	
<b>ML1308</b>	12/24v DC	500mA@12v	177 x 35 x 35
	selectable	250mA@24v	
<b>ML5044</b>	12/24v DC	500mA@12v (1.0A pull in)	270 x 32 x 35
	selectable via link	200mA@24v (0.6A pull in)	

## Applications

ML1306 is specifically designed for mortice mounting into standard aluminium profile doors and frames 100mm wide with a minimum frame depth of 45mm.

item ref	single action doors	double action doors	timber construction	metal construction
<b>ML1305</b>	●	●	●	●
<b>ML1306</b>	●	●		●
<b>ML1307</b>	● *		●	●
<b>ML1308</b>	●	●	●	●
<b>ML5044</b>	●	●	●	●

\* inward opening doors only

## Accessories

- ML1306/36 36mm shoe for ML1306 mortice shear lock for aluminium doors
- ML1305/APG For mounting to APG doors (glass thickness to be specified)
- ML1307/APG For mounting to APG doors (glass thickness to be specified)
- ML1308/SK Surface mounting kit for ML1308