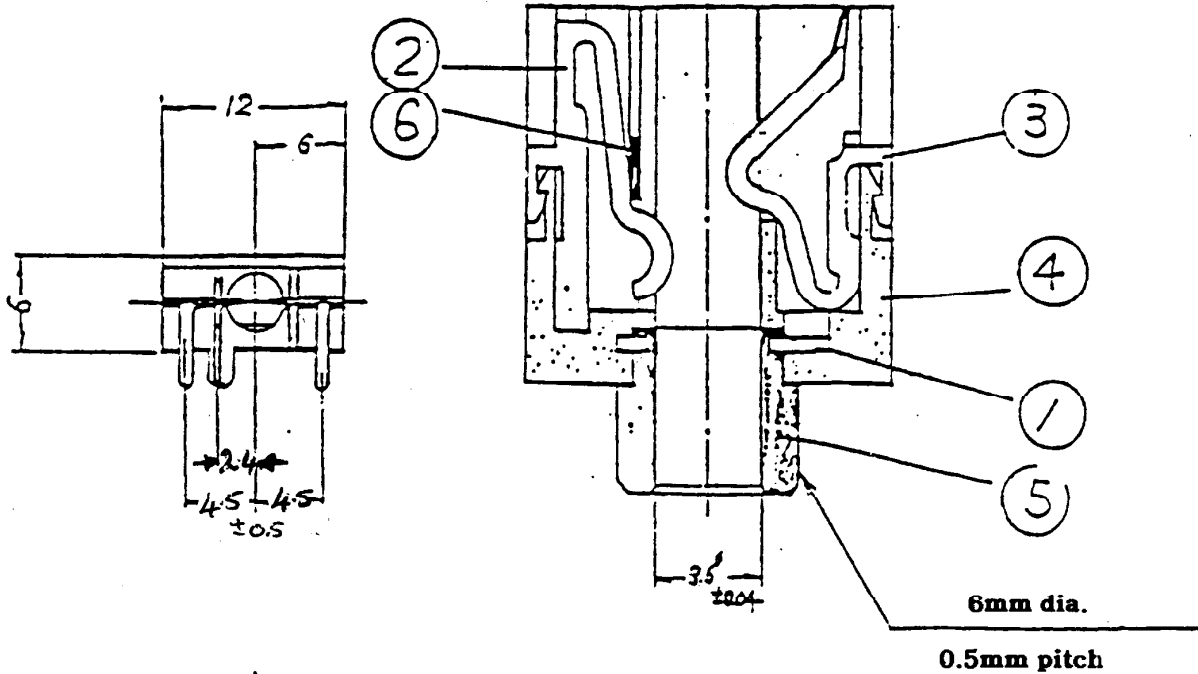




Technical Library



Specification

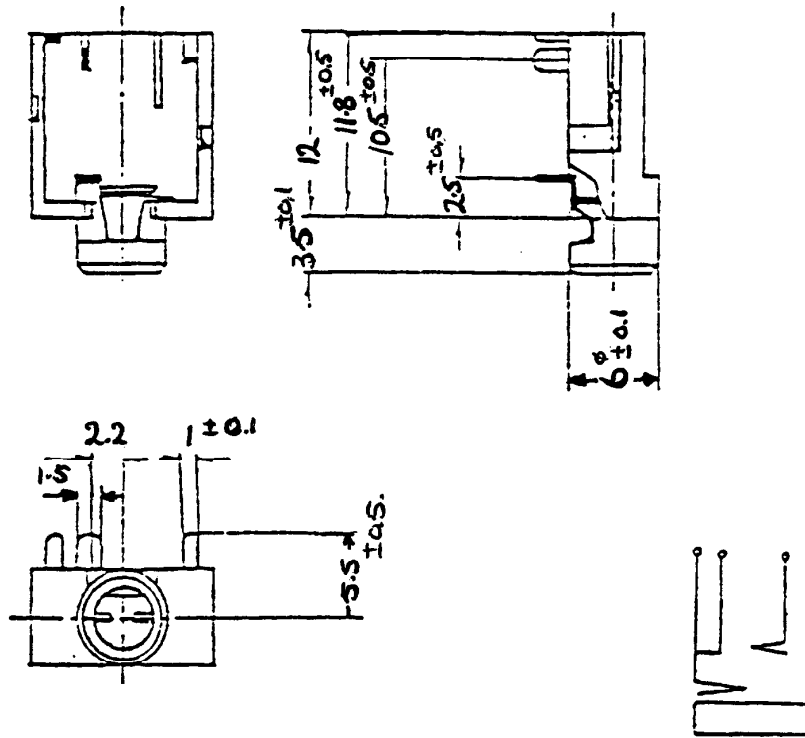
INITIAL CONTACT RESISTANCE
30mOhm Max.

INSULATION RESISTANCE
50MOhm Min at 100V DC

BREAKDOWN VOLTAGE
250V AC for one minute

1. Earth Spring
2. Tip Spring
3. Tip Spring
4. Body
5. Metal
6. Terminal

RS Components shall not be liable for any liability or loss of any nature (howsoever caused and whether or not due to RS components' negligence) which may result from the use of any information provided in RS literature.



RS Components shall not be liable for any liability or loss of any nature (howsoever caused and whether or not due to RS components' negligence) which may result from the use of any information provided in RS literature.