

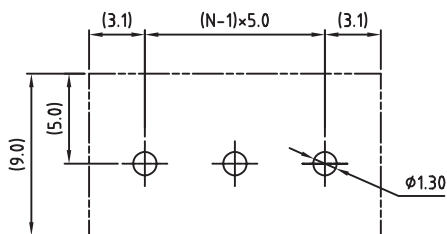
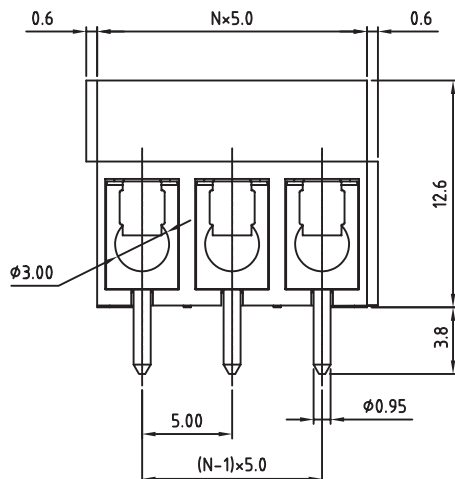
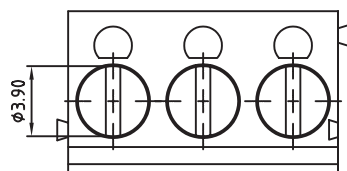
1

2

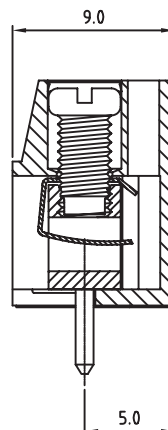
3

4

5



PCB LAYOUT - COMPONENT VIEW



TECHNICAL CHARACTERISTICS

MATERIAL

INSULATOR: PA 66

FLAMABILITY RATING: UL94-V0

COLOR: BLUE

METAL HOUSING: BRASS (CuZn)

TERMINAL SCREW: STEEL ZINC PLATING "-" SLOT TYPE

WIRE GUARD: STAINLESS STEEL

SURFACE OF SOLDER TAIL PLATING: TIN

ENVIRONMENTAL

OPERATING TEMPERATURE: -40 UP TO 105°C

COMPLIANCE: LEAD FREE AND ROHS

ELECTRICAL

CURRENT RATING:

UL 16A

VDE 16A

WORKING VOLTAGE:

250VAC

250VAC

WITHSTANDING VOLTAGE:

1.5KV

2.0KV

CONTACT RESISTANCE:

20 mOhm MAX

MECHANICAL

SOLID WIRE:

26-14 AWG / 1.0-2.0MM²

STRANDED WIRE:

26-14 AWG / 1.0-2.0MM²

TORQUE:

2.6Lb.In / 0.3Nm

WIRE STRIPE LENGTH: 6-7mm

SCREW: M3

PITCH: 5.0mm

SOLDERING: WAVE PROCESS ONLY

PACKAGING: BOX

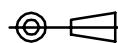
SERIE 101

CERTIFICATION



RoHS Compliant

PROJECTION:



GENERAL TOLERANCE

.X = +/- 0.2

.XX = +/- 0.15



WÜRTH ELEKTRONIK

APPROVAL: RJ

UNIT: MM

SCALE:

SHEET: 1/1

DRAW: MARVIN

DESCRIPTION: SERIE 101 - 5.0MM HORIZONTAL ENTRY MODULAR WITH PRESSURE CLAMP - 2.5MM² WIRES WR-TBL

WERI PART NO: 691 101 710 0xx

SIZE

A4

G			
F			
E			
D	17-JUL-13	GAUGE AREA	QL
C	29-OCT-08	CHARACTERISTICS	JP
B	31-JUL-08	SCREW TYPE	CH
A	30-OCT-07	PDF	EC
REV	DATE	FILE	BY